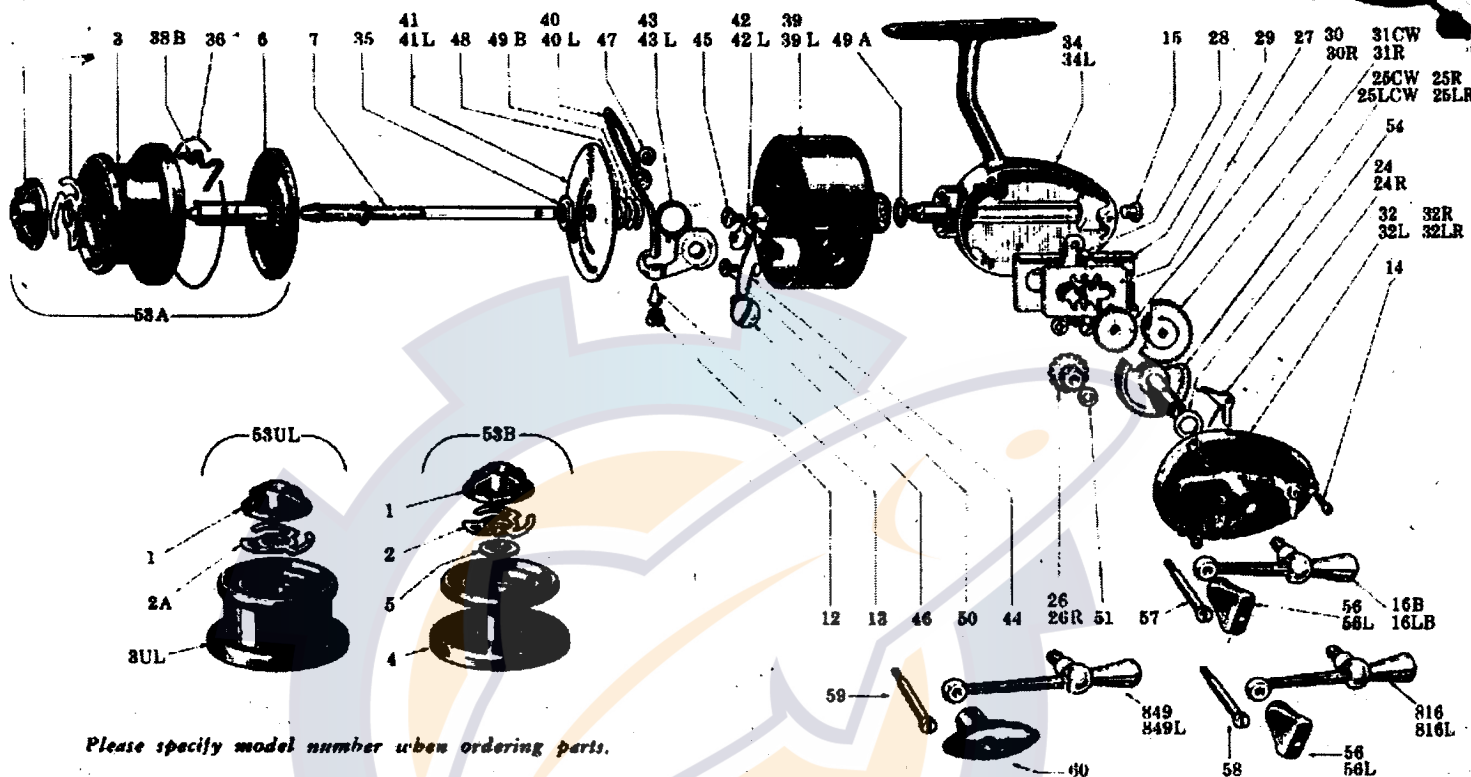


PARTS LIST

1957 Left Rapid Left
MITCHELL #300-#301-#350-#351



Please specify model number when ordering parts.

No.	Part	Price	No.	Part	Price
1	Wing nut	.15	39	Rotating head	3.00
2	Brake spring	.25	39L	Rotating head—left hand reel	3.00
2A	Ultra light brake spring	.25	40	Pick-up bail	2.95
3	Spool shell—small capacity	2.50	40L	Pick-up bail—left hand reel	2.95
4	Spool shell—large capacity	2.50	41	Baffle plate	.25
5	Washer (large capacity spool only)	.05	41L	Baffle plate—left hand reel	.25
6	Spindle	.75	42	Bail trip lever	.50
7	Reel axle	1.00	42L	Bail trip lever—left hand reel	.50
12	Friction guide screw	.05	43	Bail spring	.10
13	Friction guide	1.25	43L	Bail spring—left hand reel	.10
14	Cover screw	.05	44	Bail trip lever spring	.05
15	Lubrication cover screw	.05	45	Bail trip lever screw	.05
16B	Complete handle (Standard)	1.25	46	Bail screw No. 1	.15
16LB	Complete handle—left hand reel (Standard)	1.25	47	Bail screw No. 2	.15
24	Anti-reverse dog (300 & 301)	.25	48	Baffle plate washer	.05
24R	Anti-reverse dog (350 & 351)	.25	*49A	Shims (3) to adjust rotating head and housing	.15
25CW	Driving gear—cross-wind action (300)	1.25	*49B	Shims (3) to adjust rotating head and baffle plate	.15
25LCW	Driving gear—cross-wind action (301) left hand reel	1.25	50	Pick-up spring screw	.05
25R	Driving gear—cross-wind action (350)	1.25	*51	Washer to adjust Pinion Gear (set of 2)	.10
25LR	Driving gear—cross-wind action (351) left hand reel	1.25	53A	Complete spool, small capacity—with container Code #9101	4.00
26	Pinion gear (300 & 301)	.75	53B	Complete spool, large capacity—with container Code #9102	4.00
26R	Pinion gear (350 & 351)	.75	53UL	Complete spool ultra-small—with container Code #9103	4.00
27	Slide	.25	*54	Shims to adjust driving gear (set of 2)	.10
28	Slide guide screw	.05	56	Knob for 16B and 816 handles (300-350)	.25
29	Slide guide	.25	56L	Knob for 16LB and 816L handles (301-351)	.25
30	Pivot gear (300 & 301)	.50	57	Screw for 16B and 16LB handles (300-301)	.05
30R	Pivot gear (350 & 351)	.50	58	Screw for 816 and 816L handles (350-351)	.05
31CW	Transfer gear—cross-wind action (300 & 301)	.25	59	Screw for 849 or 849L handles (300-301-350-351)	.15
31R	Transfer gear—cross-wind action (350 & 351)	.25	60	Handle knob for 849 or 849L handles (300-301-350-351)	.50
32	Cover plate assembly (300)	1.75	816	Mitchell screw-lock handle (300 & 350) 1/4 inch longer than standard complete	1.50
32L	Cover plate assembly (301) left hand reel	1.75	816L	Mitchell screw-lock handle (301 & 351) left hand, 1/4 inch longer than standard complete	1.50
32R	Cover plate assembly (350)	1.75	849	Mitchell screw-lock handle (300 & 350) 1/4 inch longer than standard complete	2.50
32LR	Cover plate assembly (351) left hand reel	1.75	849L	Mitchell screw-lock handle (301 & 351) left hand, 1/4 inch longer than standard complete	2.50
34	Housing (300 & 350)	4.00			
34L	Housing (301 & 351) left hand reel	4.00			
35	Baffle plate holding nut	.05			
	Spool line clip	.05			
	Click spring	.25			

*Use only number of shims necessary for smoothest operation.

All prices and specifications subject to change without notice.

- All parts and fast service always available
- All materials and workmanship unconditionally guaranteed

When ordering parts write Dept. A, Special Service
 Box 262, Madison Sq. Station, New York 10, N. Y.